

## Technical data

Couple of double solenoid valves 3/2 G1

Nominal diameter passage: 25mm (flow rate: 10.000 NI/min)

Fluid: neutral gases, filtered air 50 $\mu$  without lubrication, the lubrication, if used, must be continued

Working pressure: 3 ÷ 10 Bar

Ambient temperature: -20 ÷ 50°C

Fluid temperature: +50°C max

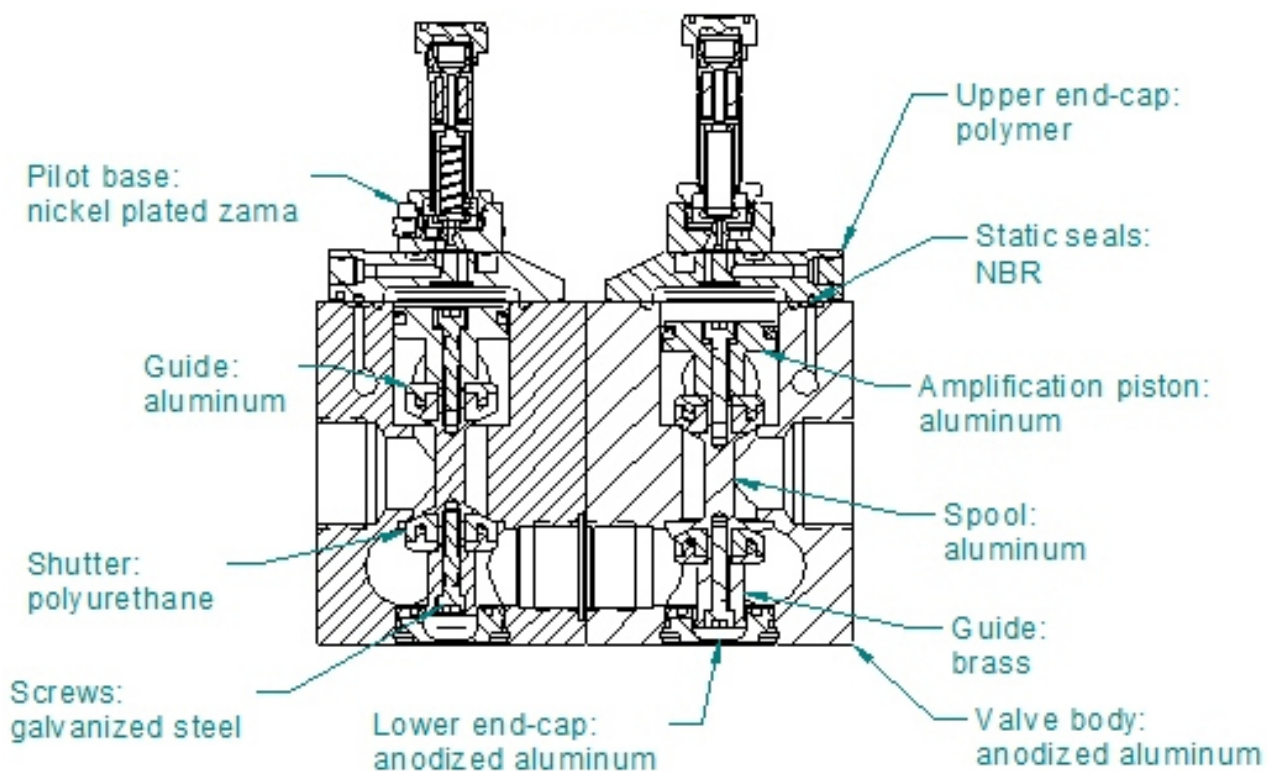
Dynamic seals: polyurethane

Static seals: NBR

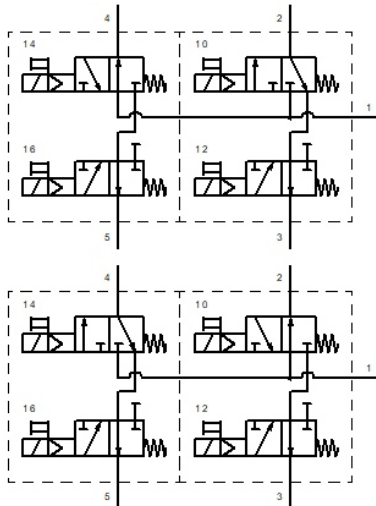
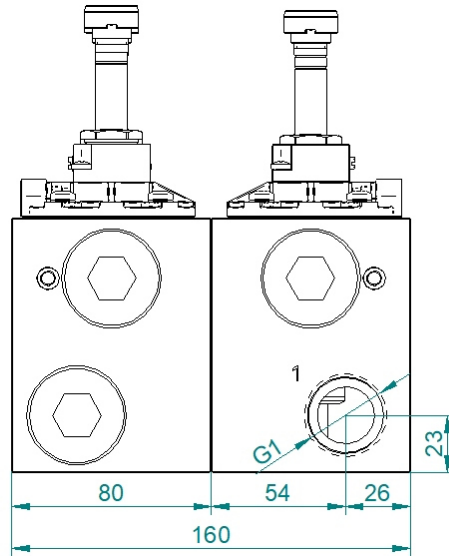
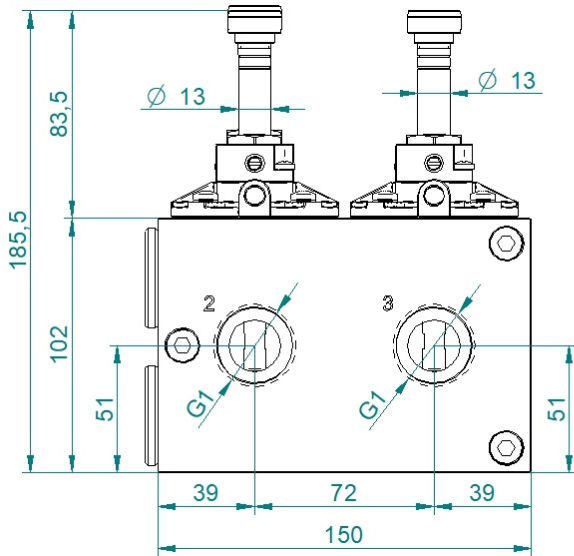
Body completely made of aluminum

Poppet system made of aluminum and brass

Electric or pneumatic control

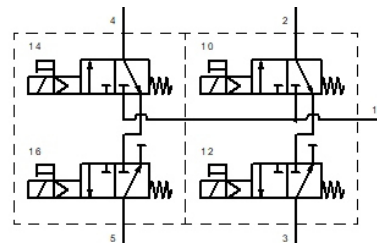


# Technical data

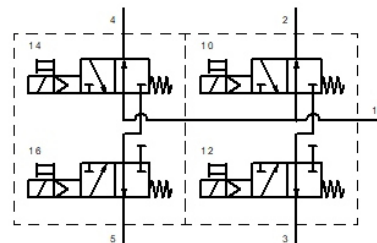


5/2 deactivated

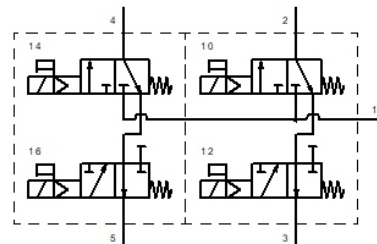
5/2 activated



5/3 closed centers



5/3 pressurized centers



5/3 open centers