

**MEC FLUID 2**  
Specialists in Custom Pneumatics



*5/2 poppet valves  
from 1" to 1½"  
for compressed air  
and neutral gases.*



MADE IN ITALY

## Technical data

Fluid: neutral gases, filtered air 50 $\mu$  without lubrication; the lubrication, if used, must be continued

Working pressure: 2 ÷ 10 Bar

Ambient temperature: -5 ÷ 50°C (-10 ÷ 150°C for high temperature version)

Fluid temperature: +50°C max (+150°C max for high temperature version)

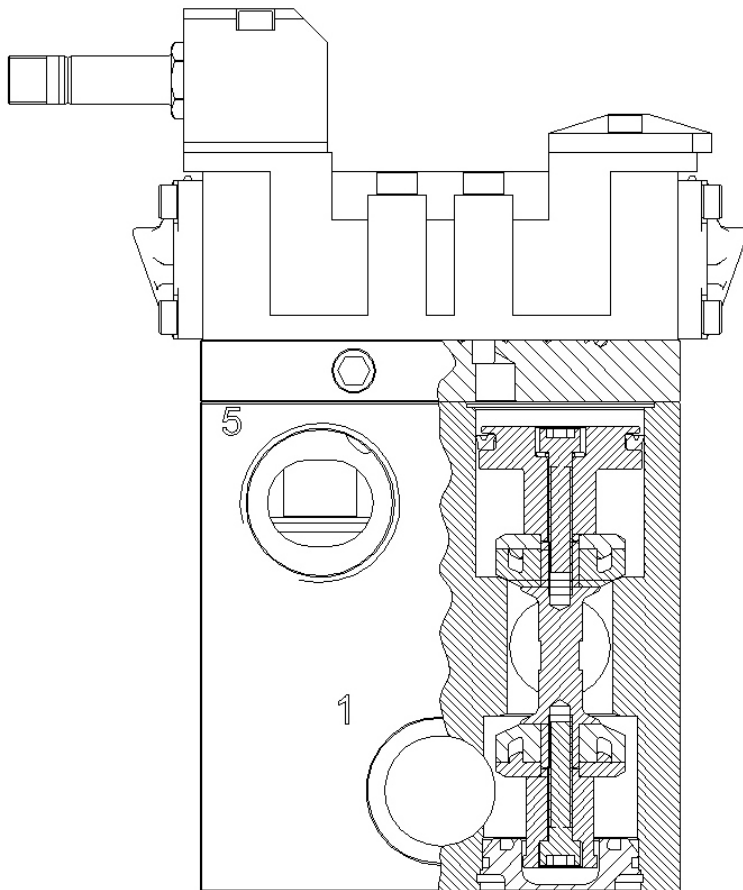
Dynamic seals: polyurethane (Viton for high temperature version)

Static seals: NBR (Viton for high temperature version)

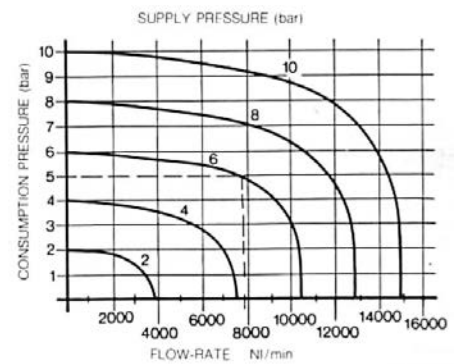
Body completely made of aluminium

Poppet system made of aluminium and brass

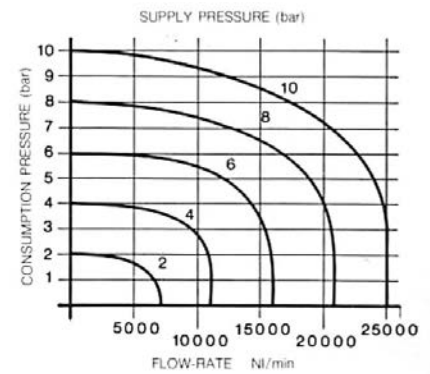
Indirect electropneumatic or pneumatic pilot



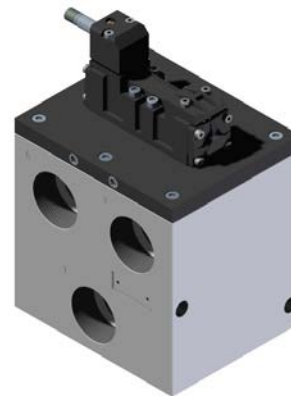
1"



1 1/2"



## Technical data



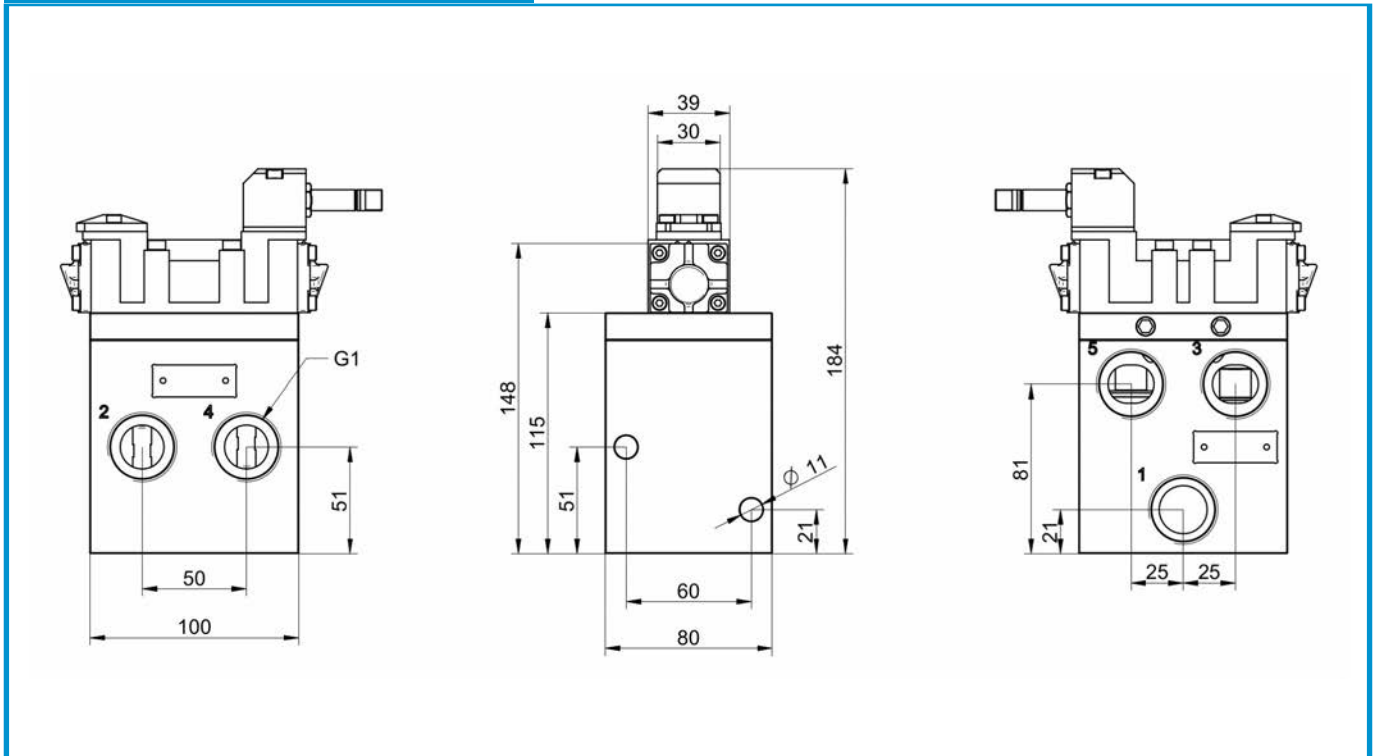
SYMBOL	Size	Type	Ø mm	Flow rate NI/min	Press. bar	Time ms.		Code
						Ecc. 12	Dis.10	
	1"	5/2 Standard version	25	8000	2 ÷ 10	25	36	-HT-Y01310
	1½"		40	25000	2 ÷ 10	28	40	-HT-Y01320

SYMBOL	Size	Type	Ø mm	Flow rate NI/min	Press. bar	Time ms.		Code
						Ecc. 12	Dis.10	
	1"	5/2 FPM Version	25	8000	2 ÷ 10	25	36	-HT-Y0131A
	1½"		40	25000	2 ÷ 10	28	40	-HT-Y0132A



## Overall dimensions

### G1"



### G1-1/2"

